

# S8038-10K

80 mm 10k rpm Server Fan

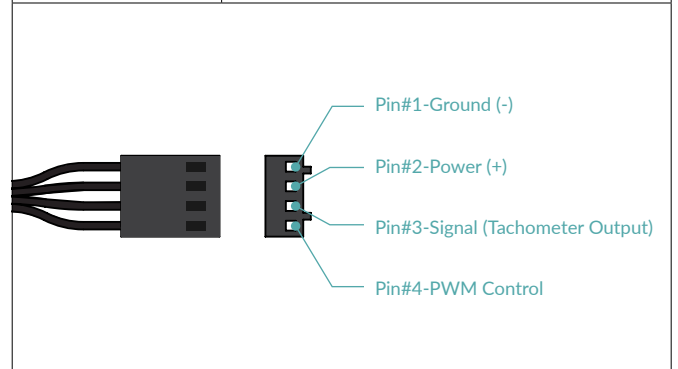


## General Specifications

Dimensions	80 (L) x 80 (W) x 38 (H) mm
Weight	151 g
Flammability UL 94	V-0
Operating Ambient Temperature	-10°C~70°C
Warranty	6 Years

## Fan Specifications

Speed	500-10000 rpm, PWM controlled
Static Pressure	51 mmH <sub>2</sub> O
Airflow	102 cfm   173.30 m <sup>3</sup> /h
Bearing	Dual Ball Bearing
Cable Length	300 mm, Black
Connector	4-Pin Connector
Current   Voltage	1.3 A   12.0 V DC
Start up Voltage	5.8 V DC



## Shipping Information - Single Fan

Box Content	S8038-10K x 1 Mounting Screws x 4 Impeller Sticker x 1
Box Dimensions	88 (L) x 86 (W) x 44 (H) mm
Gross Weight	170 g
SKU	ACFAN00279A
EAN	4895213703796
UPC	840033401609

## Shipping Information - 4 Pack

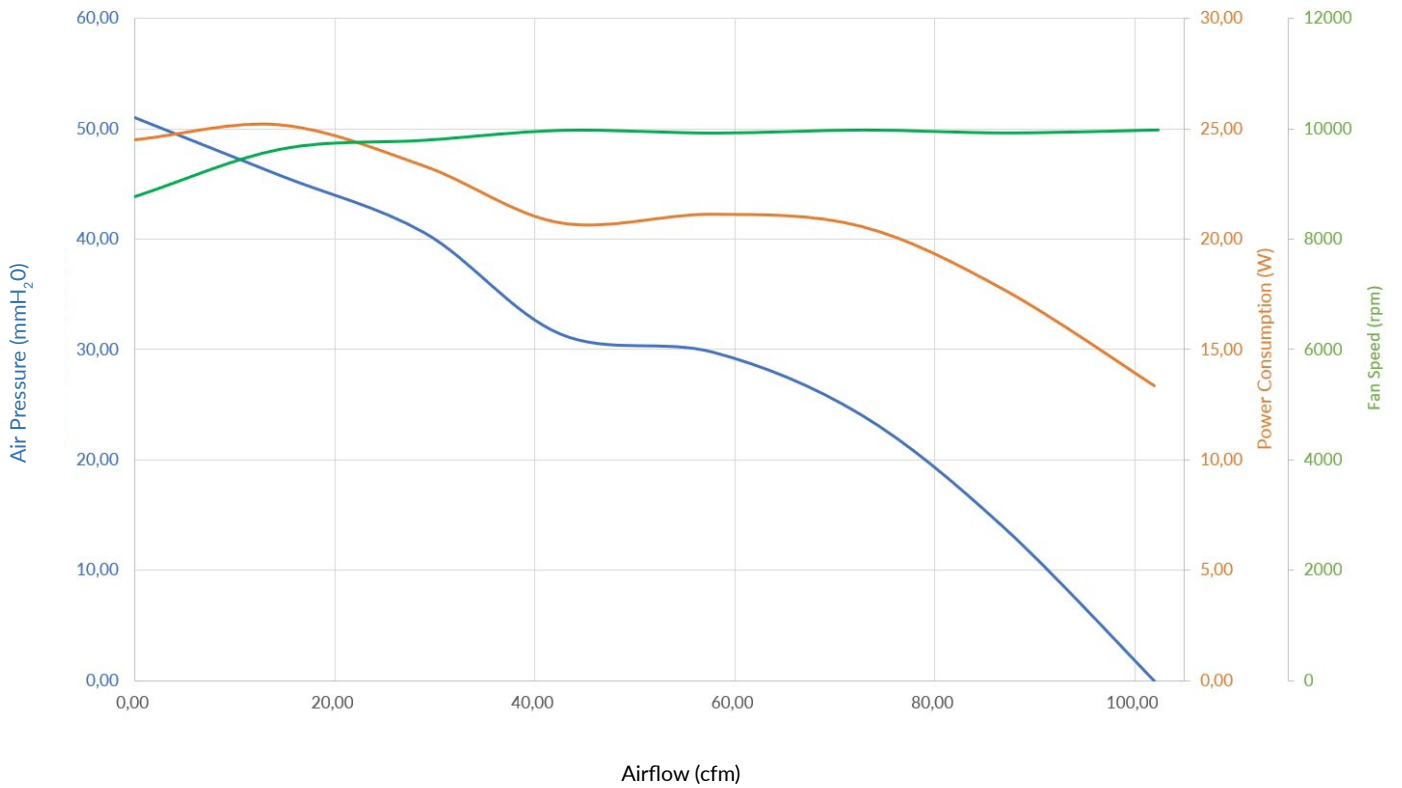
Box Content	S8038-10K x 4 Mounting Screws x 16 Impeller Sticker x 4
Box Dimensions	185 (L) x 104 (W) x 78 (H) mm
Gross Weight	700 g
SKU	ACFAN00291A
EAN	4895213704311
UPC	840033402088

# S8038-10K

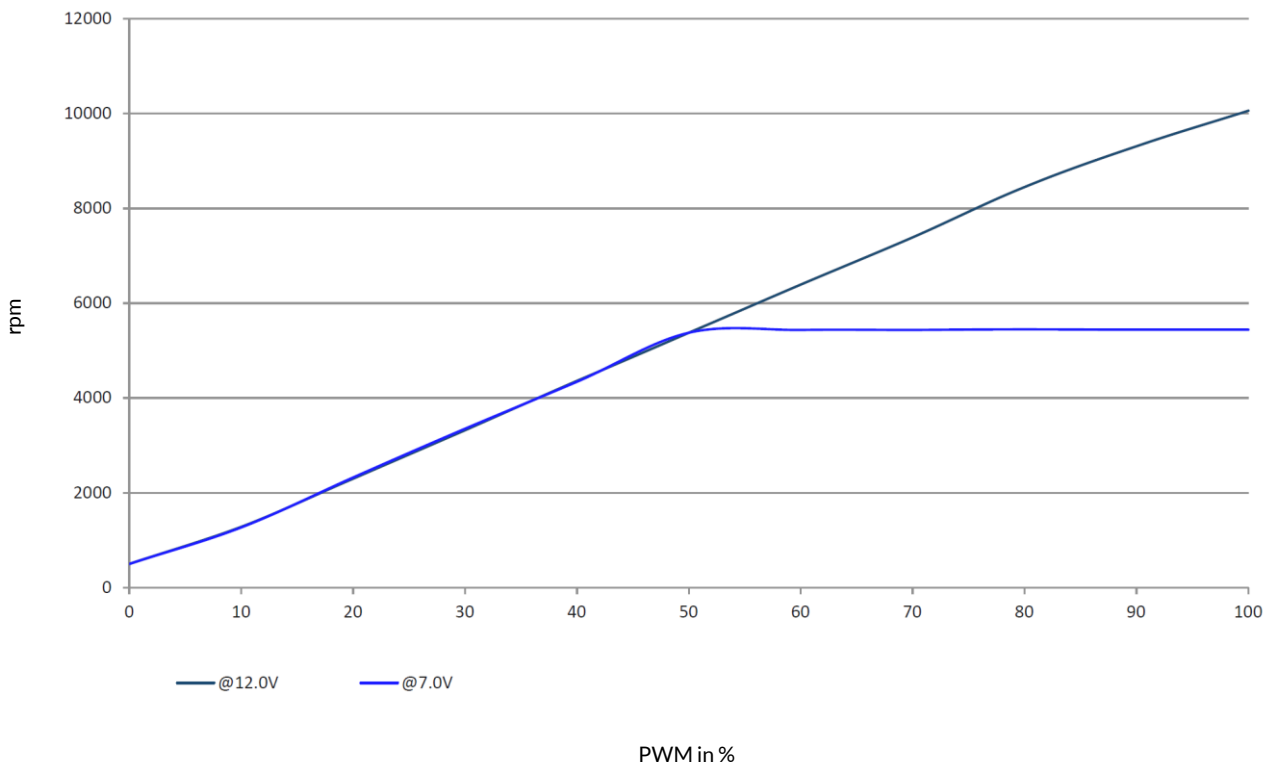
80 mm 10k rpm Server Fan



### P/Q Curve

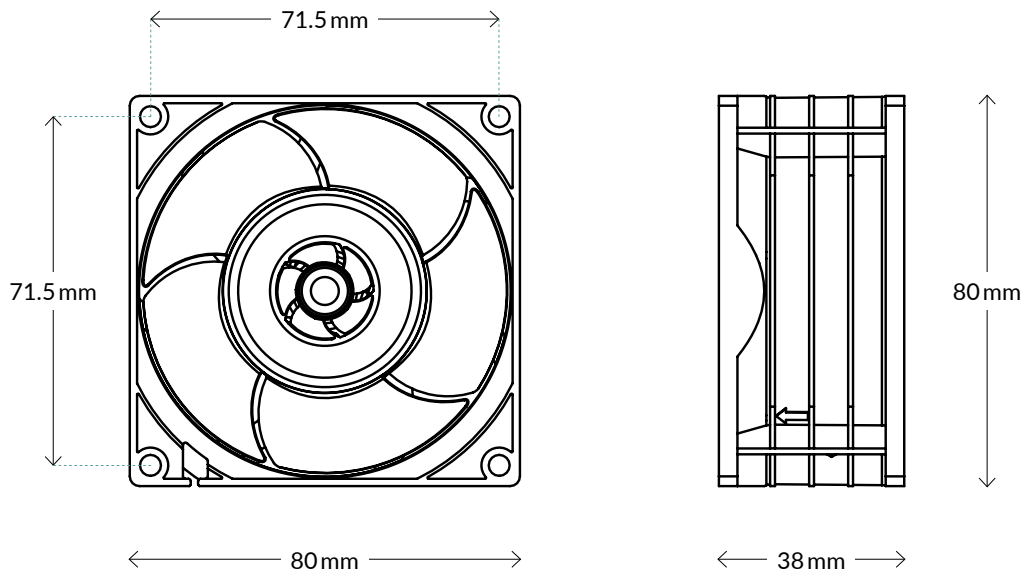
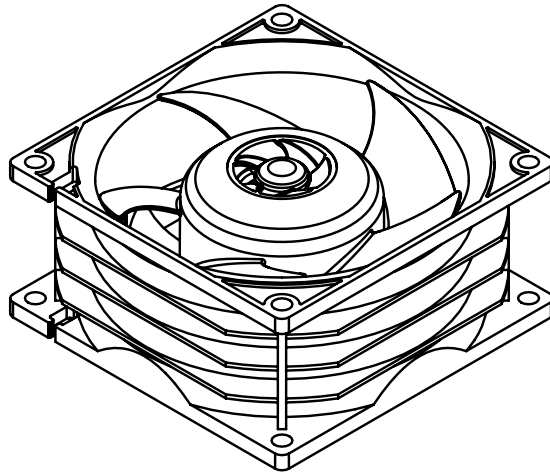


### PWM to rpm Curve



# S8038-10K

80 mm 10k rpm Server Fan



All materials are compatible with RoHS requirements.

MORE INFORMATION



MANUALS

